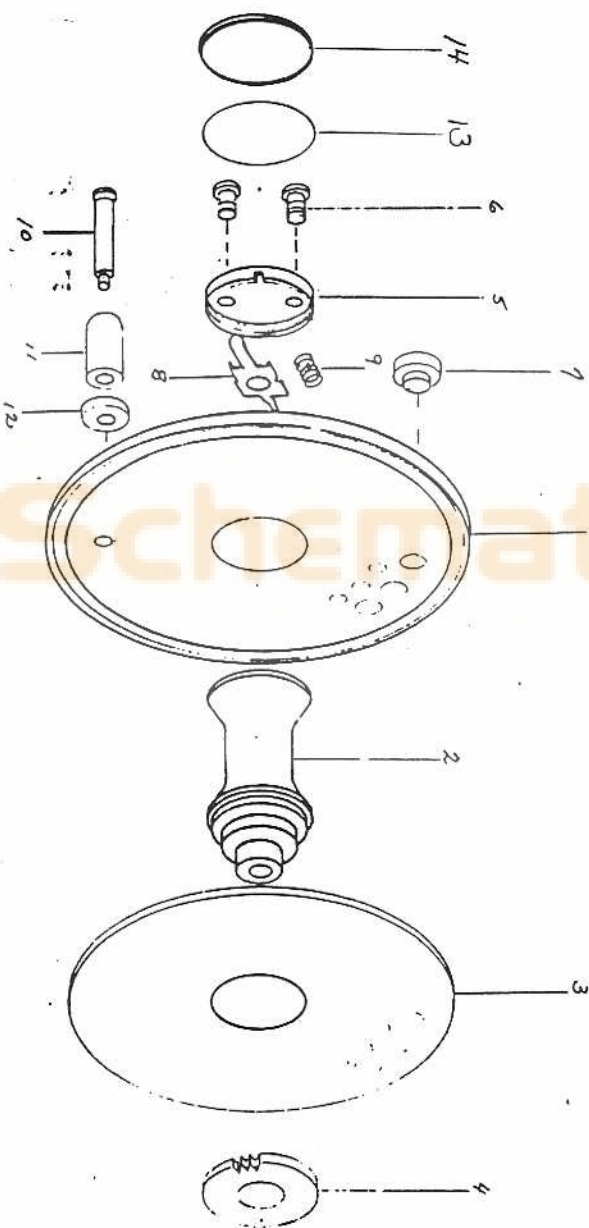


1
M2-89



NUMBER OF PART	QUANTITY
1 SKIRTED SPOOL SIDE 875	1
2 HUB 90K	1
3 SPOOL SIDE 219-H	1
4 GEAR 743	1
5 SPOOL SIDE 251-P	1
6 SCREW 203	2
7 COUNTER BALANCE 890 BN	1
8 SPOOL LOCK SPRING 252-S	1
9 SPOOL LOCK SPRING 253-S	1
10 ROLLER PIN 230	1
11 CRANK KNOB 143B	1
12 CRANK KNOB JACKET 162	1
13 ROLLER PIN 9501	1
14 MEDALLION 628-2	1